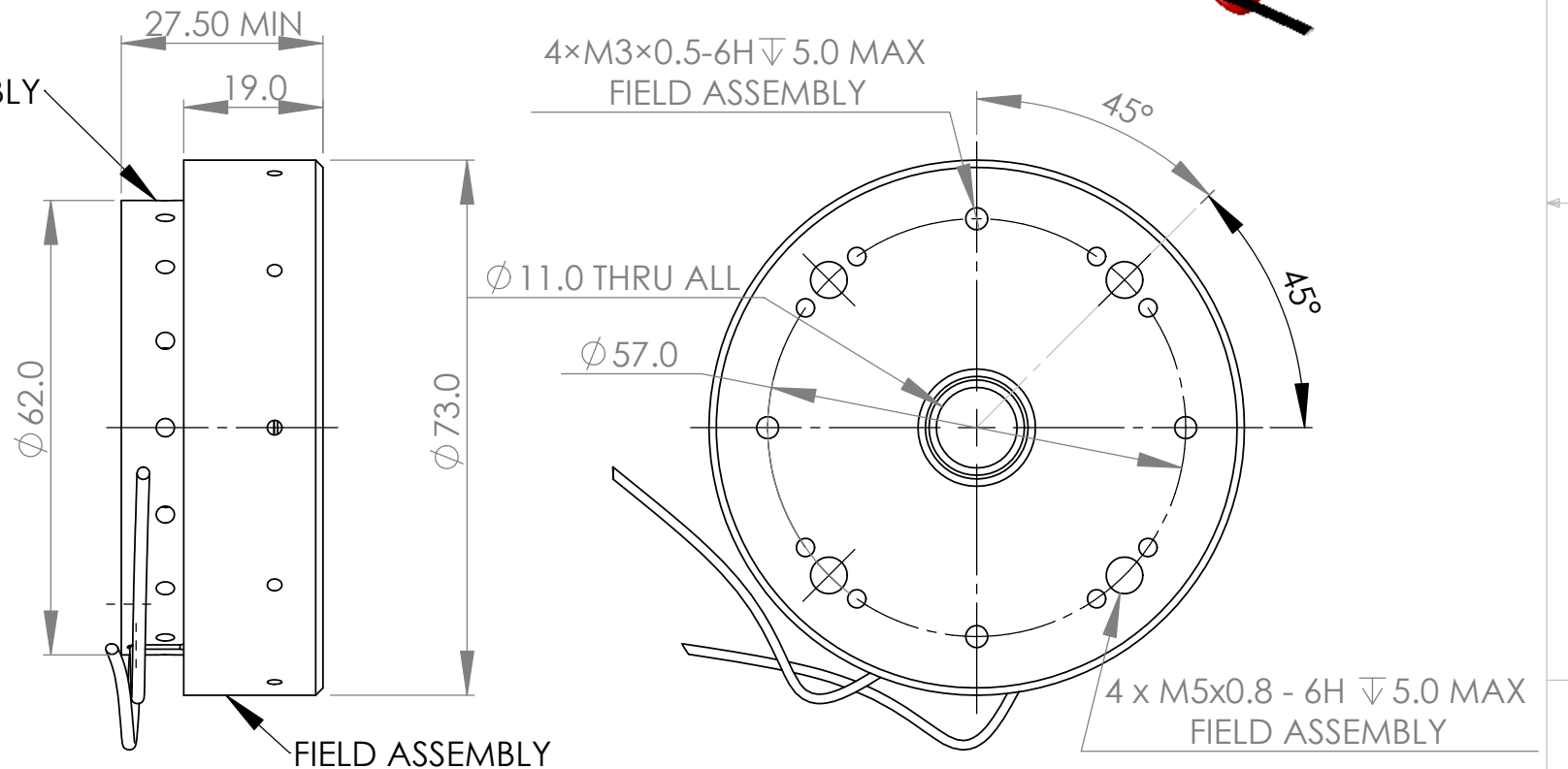
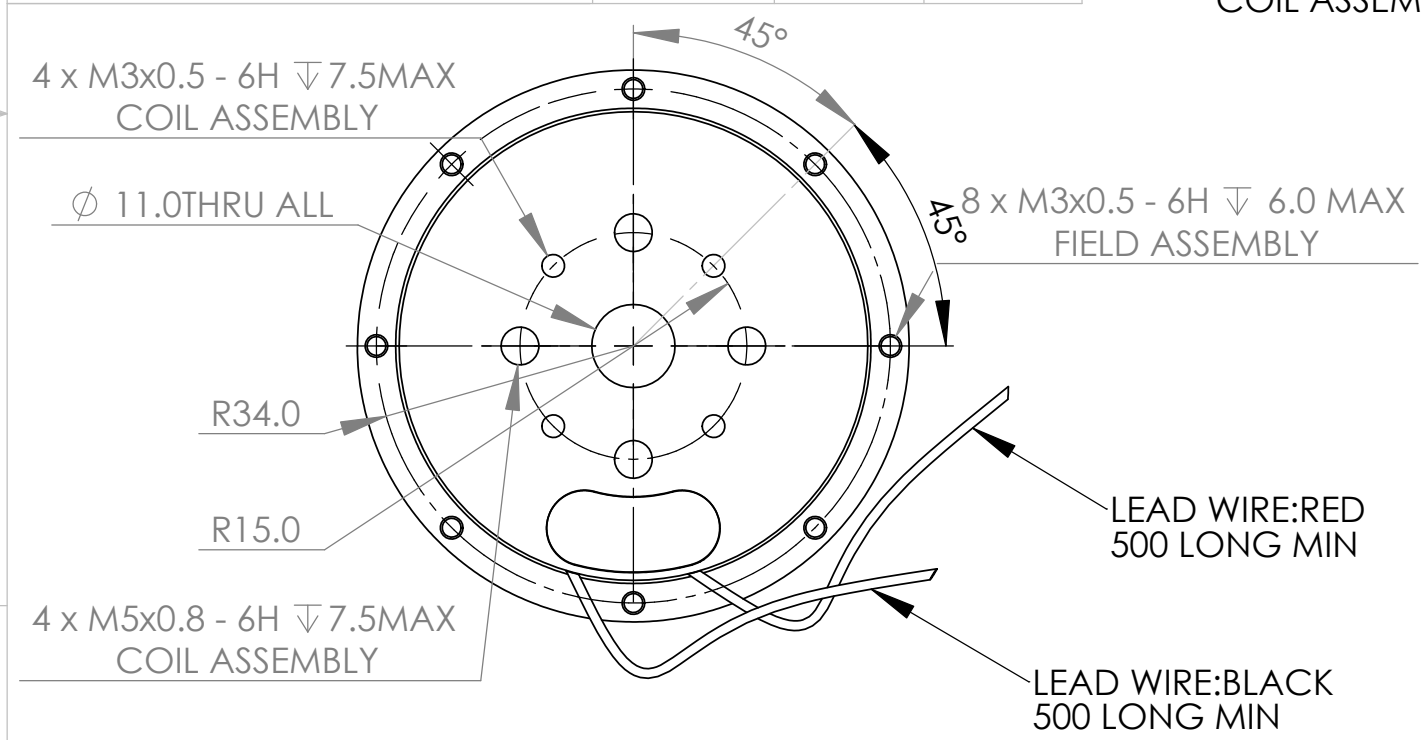
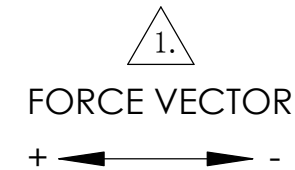
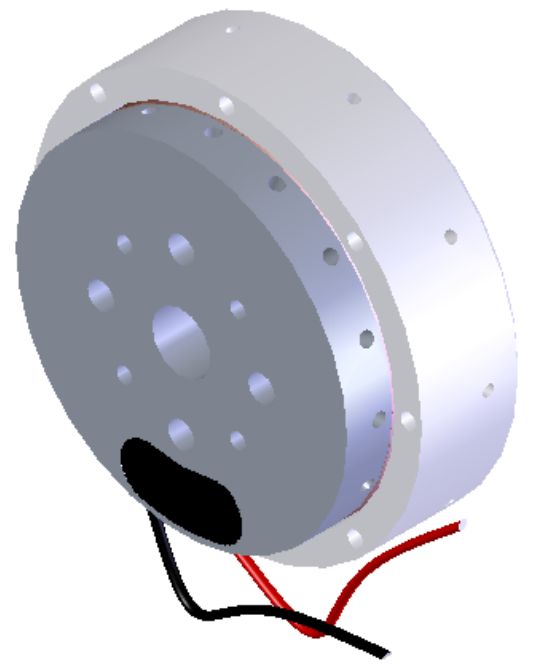


WINDING CONSTANT	TOL	SYM	VALUE	UNITS
DC RESISTANCE	± 10%	R	4.8	OHMS
VOLTAGE @ Fp	NOMINAL	Vp	31	VOLTS
CURRENT @ Fp	NOMINAL	Ip	6.5	AMPS
FORCE SENSITIVITY	± 10%	Kf	17.5	N / A
BACK EMF CONSTANT	NOMINAL	Kb	17.5	V/M/Sec
INDUCTANCE*****	± 30%	L	3.0	mH

ACTUATOR PARAMETER	SYM	VALUE	UNITS
PEAK FORCE *	Fp	113	N
CONTINUOUS FORCE **	Fc	35.0	N
CONTINUOUS FORCE WITH HEAT SINK	Fc	56.5	N
ACTUATOR CONSTANT	Ka	8.0	N/√w
ELECT TIME CONSTANT	Te	0.63	milli-sec
POWER I2R@Fp	Pp	200	W
TOTAL STROKE	S	8.9	mm
CLEARANCE ON SIDE OF COIL	CL	0.5	mm
THERMAL RESISTANCE ***	θth	6.5	C / W
THERMAL RESISTANCE WITH HEAT SINK****	θth	2.5	C / W
MAX WINDING TEMP	Tmax	150	C
WEIGHT OF COIL ASSEMBLY	WTc	130	g
WEIGHT OF FIELD ASSEMBLY	WTF	470	g
WEIGHT OF ACTUATOR	WTa	600	g

* 10 sec @ 25C ambient, 150C coil temp.
 ** 25C ambient, 150C coil temp.
 *** In free air.
 **** Measured with 250×250×10mm heat sink.
 ***** Measured with TONGHUI TH2821A.

REV	ECO NO.	DESCRIPTION	DRN	APP'D	Q.A.	DATE
X1	---	INITIAL RELEASE	BWZ	WYG	LBQ	07/12/12



2.INSULATION RESISANCE:100 MEGOHMS MINIMUM AT 500 VDC.

1. A POSITIVE(+)VOLTAGE APPLIED TO THE RED LEAD WILL PRODUCE A FORCE ON THE COIL ASSEMBLY IN POSITIVE (+) DIRECTION.

NOTES:UNLESS OTHERWISE SPECIFIED

UNLESS OTHERWISE SPECIFIED:

DIMENSIONS ARE IN MM
 TOLERANCES:
 ANGULAR: MACH±0° 30'
 ONE PLACE DECIMAL ±0.25
 TWO PLACE DECIMAL ±0.1

INTERPRET GEOMETRIC TOLERANCING PER:
 ANSI Y14.5M-1982.



DO NOT SCALE DRAWING

	NAME	DATE
DRAWN	BWZ	07-09-27
CHECKED		
ENG APPR.	WYG	07-09-27
MFG APPR.		
Q.A.	LBQ	07-09-27



TITLE:
LINEAR ACTUATOR

SIZE	DWG. NO.	REV
B	VLR0113-0089-00A	X1

SCALE: 1: 1 SHEET 1 OF 1